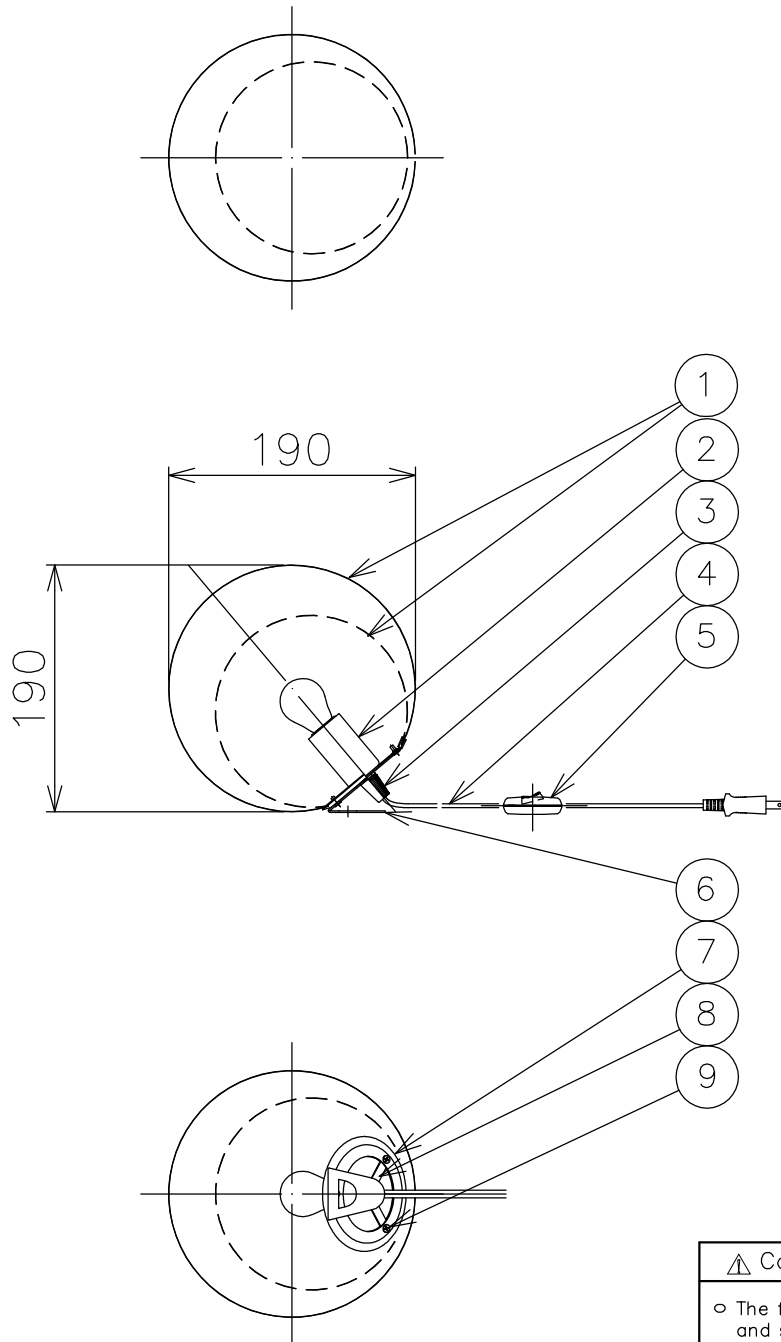




241010



**⚠ Cautions for Your Safety**

- The fixture is for interior use only, and shall not be installed for exterior use, also not to be used in a moist or humid location. Improper application will become a fire hazard due to insufficient insulation.
- Do not put the fixture on an unstable place. If so, there may be a risk of tumbling of the body or a fire hazard.
- Do not place the fixture close to curtains, paper, flammable or volatile materials. It may become a fire hazard.

13					6	Weight plate	SPC	1	Black painted	MODEL NAME	MAYUHANA MA BLACK MINI STAND		
12				5	Manual switch	Plastic	1	Clear					
11				4	Cord	—	1	Clear					
10				3	Cord Cramp	—	1	Black	SUITABLE LAMP	E14 LED Lamp 5.0W x 1 max			
9	Screw	—	3	M3	2	Socket	PET	1				E14	
8	Fixing ring B	SPC	1	Black painted	1	Shade	Glassfiber + Plastic	2	Black	COLOR	Black		
7	Fixing ring A	SPC	1	Black painted	No.	ARTECLE	M.T	QT.	REMARK	CATALOG No.	SE181B	MODEL No.	71SK-02K8-1B
PROTECTION			DR.	HK	UNIT	mm	SCALE	—	WEIGHT	0.7	kg		

\*The specifications and appearance of this product are subject to change without notice for improvement. Please note and understand.