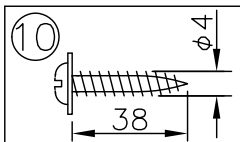
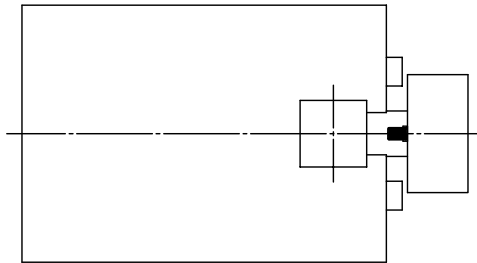
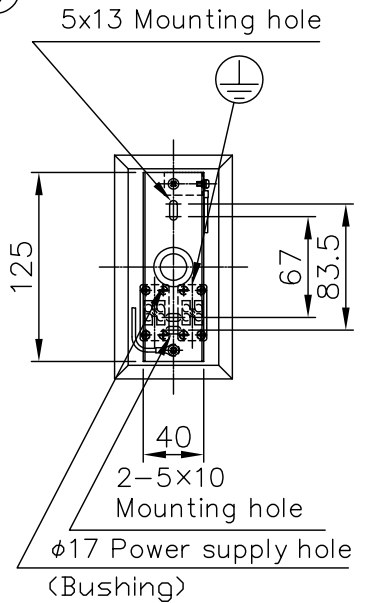
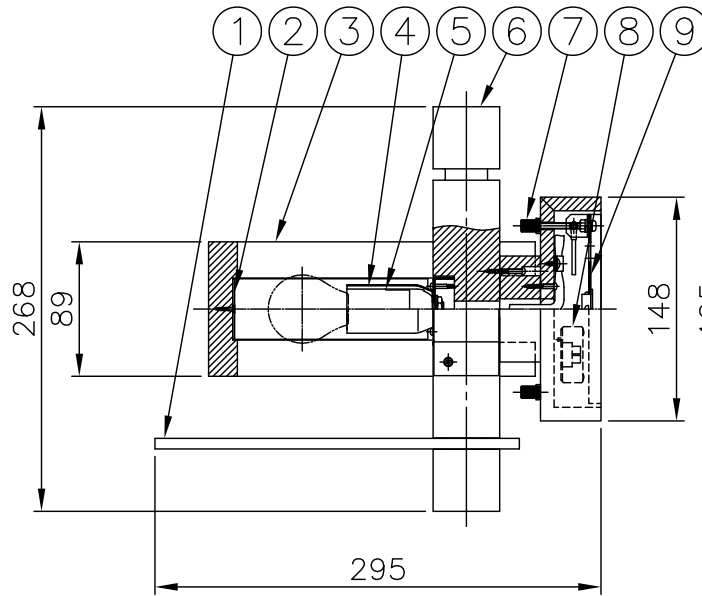
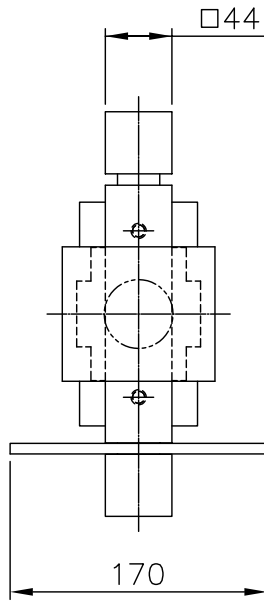
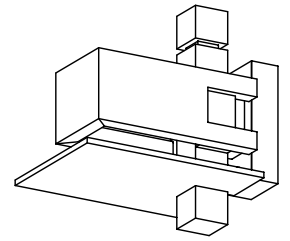
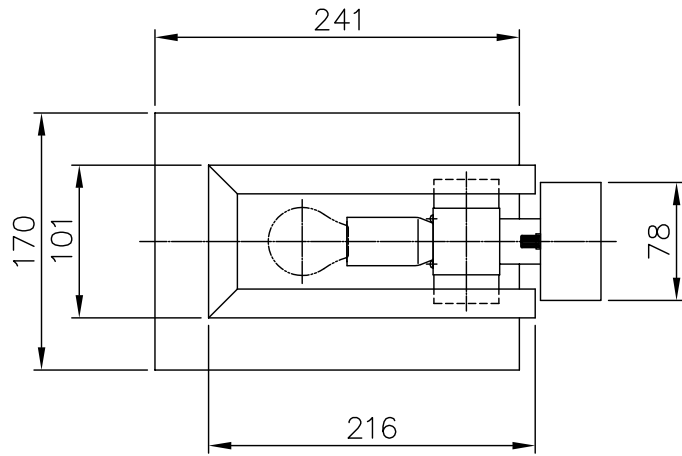


241011

170419



⚠ Attention
 ○Although this lighting fixture is for indoor use, it cannot be used in locations of high humidity or in the presence of water such as in the bathroom. Do not use this lighting fixture outdoors. This can cause an electrical shock or fire.
 ○It is an appliance wall mounting only. Please without installing ceilings. It may fall.
 ○Equipment has given the mounting direction. Mounted outside the designated fire it may fall.

| | | | | |
|----|-------------------|-----------|---|--------------------|
| 10 | Fixing screw | SWRH | 2 | Chromate treatment |
| 9 | Fixing plate | SPG | 1 | Degreasing |
| 8 | Terminal block | PA6.6 | 2 | 6A 250V |
| 7 | Face nut | BsBM | 2 | M4 Bronze plating |
| 6 | Body | Cherry | 1 | Brown paint |
| 5 | Socket | Porcelain | 1 | E14 300V 3A |
| 4 | Socket cover | SPC | 1 | Brown paint |
| 3 | Shade(B) | Cherry | 1 | Brown paint |
| 2 | Heat shield plate | SPC | 1 | Brown paint |
| 1 | Shade(A) | Cherry | 1 | Brown paint |

| | |
|----------------|--------------------------------|
| Equipment type | Class I |
| Lamps | E14 LED White bulb 2.2W X 1 |
| Color | |

| | | | | | | | | | | |
|-----|------------------------|----------|------|---------|-------|--------|----------------|-------|--------------|--------------|
| No. | Part name | Material | QTY | Summary | | | Catalog number | BE304 | Model number | 69BB-12K4-10 |
| | Third angle projection | Drawing | Unit | mm [in] | Scale | Weight | 1.4 kg | | | |

※Design and specifications of this product because it may change without notice Please note, for improvement