

Note 1: There may be individual variations in the brightness and light color of LEDs.
Please be aware of this in advance.

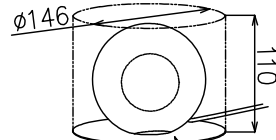
Note 2: This product's glass is handcrafted, and there may be slight individual variations in dimensions and size.

Note 3: When installing the equipment, please choose a flat and stable surface, and ensure to lay down a protective sheet.
Place the equipment at the center of the protective sheet. Also, select a location where the equipment will not fall even if touched or when handling the main unit and cords.

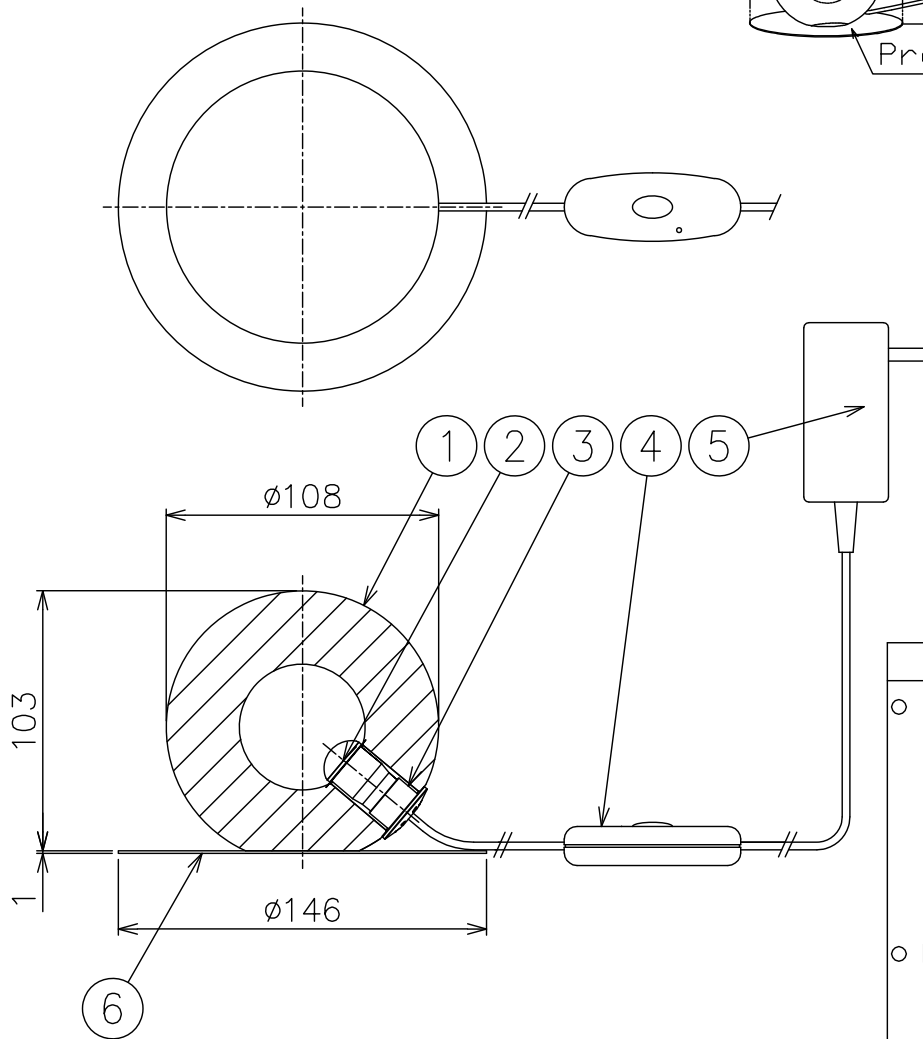
Note 4: Please be cautious of fire hazards, such as smoldering fires, caused by glass lenses concentrating intense light or heat.
To prevent this, choose a location without direct sunlight and away from flammable materials when installing.

Note 5: Please be careful not to expose the product to direct sunlight during the low-angle sunlight in the morning and evening, as well as during the low-angle sunlight in the winter season.

Note 6: Please take care to prevent any flammable materials from entering the area indicated by the dotted line in the diagram, within the outer diameter (146mm) x height (110mm) range of the protective sheet, even temporarily.



Protective Sheet



⚠ Attention

- The fixture is for interior use only, and shall not be installed for exterior use, also not to be used in a moist or humid location. Improper application will become a fire hazard due to insufficient insulation.
- Do not put the fixture on unstable place. If so, there may be a risk of tumbling of the body or a fire hazard.
- Do not place the fixture close to curtains, paper, flammable or volatile materials. It may become a fire hazard.

7					Equipment type	Class I 100-240V~			
6	Protective Sheet	Silicone	1	Milky White				IP20	
5	Power Supply	-	1	12V 1.2A					
4	Dimmer	Plastic	1	12V 2A Black					
3	Body	Plastic	1	Clear lacquer painted	Lamps	Integrated LED Module 2W X 1			
2	LED	-	1	2W					
1	Glass Globe	Glass	1	Clear, frost finish	Color				
No.	Part name	Material	QTY	Summary			Catalog number	Model number	60MK-15K2-10
	Third angle projection Drawing	KI	Unit	mm	Scale	—	Weight	1.8 kg	

*Design and specifications of this product because it may change without notice Please note, for improvement.

240710