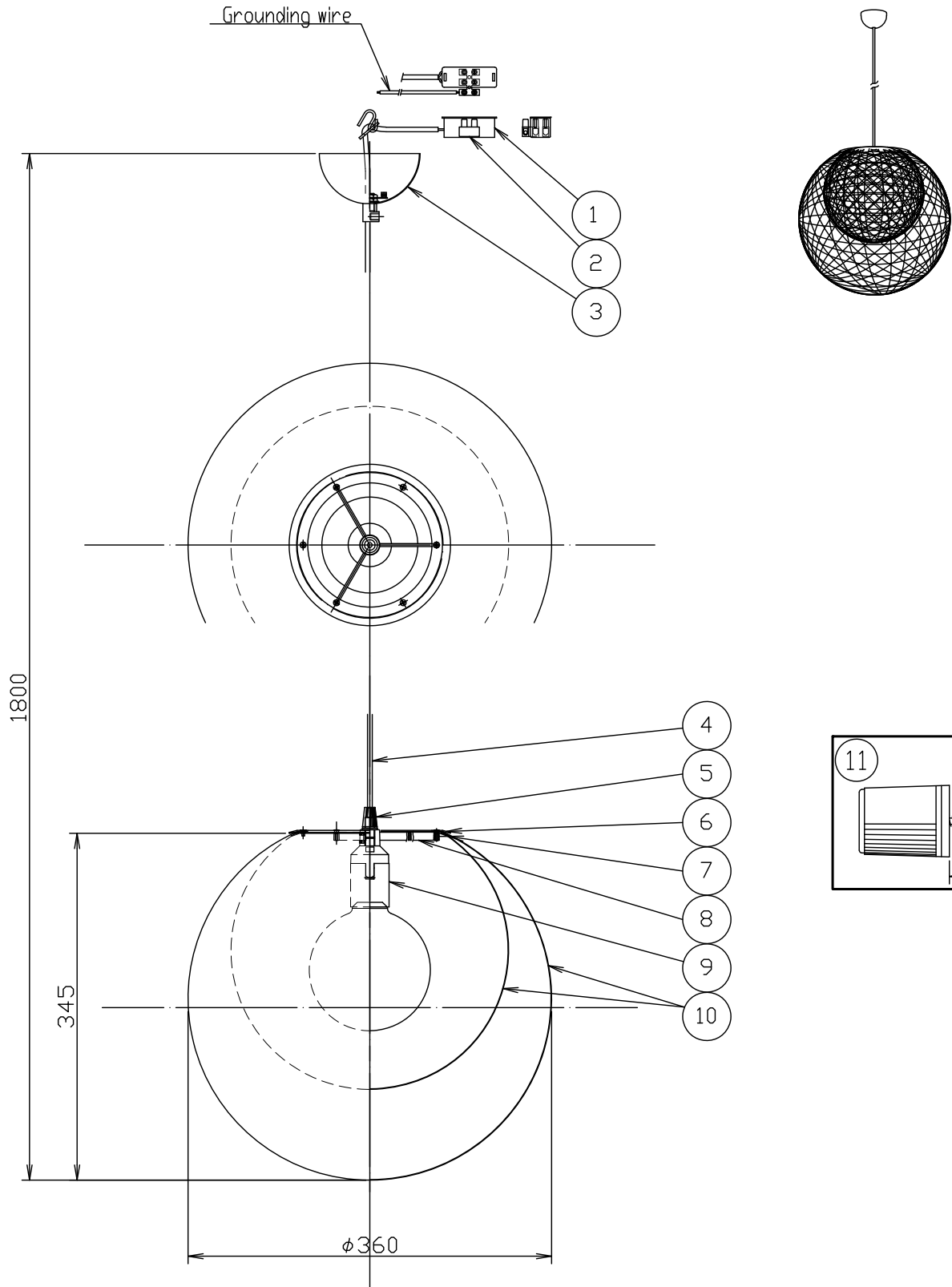


18.07.27 23.08.30



13				6	Fixing ring	SPC	1	Black painted	MODEL NAME	MAYUHANA MA BLACK	
12			5	Cable clamp	Plastic	1	STEAB 5110	Mini Pendant			
11	Cord hanger	Plastic	1	Black	4	Cord	1	clear	SUITABLE LAMP	220-240V E27 LED Bulb	
10	Shade	Glassfiber + Plastic	2	Black	3	Frange	1	Black painted		Max 8W×1	
9	Socket	Plastic	1	E27	2	Terminal block	1		COLOR		
8	Hub body	ADC	1	Black painted	1	Terminal block protection	1	STEAB 5290			
7	Holding ring	SPC	1	Black painted	No.	ARTECLE	M.T	QT.	REMARK	CATALOG No.	PE124B
PROTECTION		DR. 開発	UNIT	mm	SCALE	—	WEIGHT	0.7	kg	MODEL No.	71PC-17K3-1B

*The specifications and appearance of this product are subject to change without notice for improvement. Please note and understand.