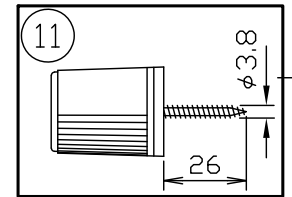
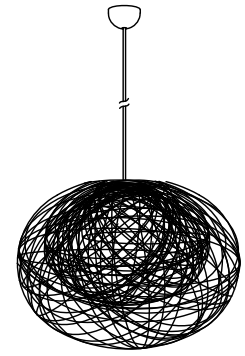
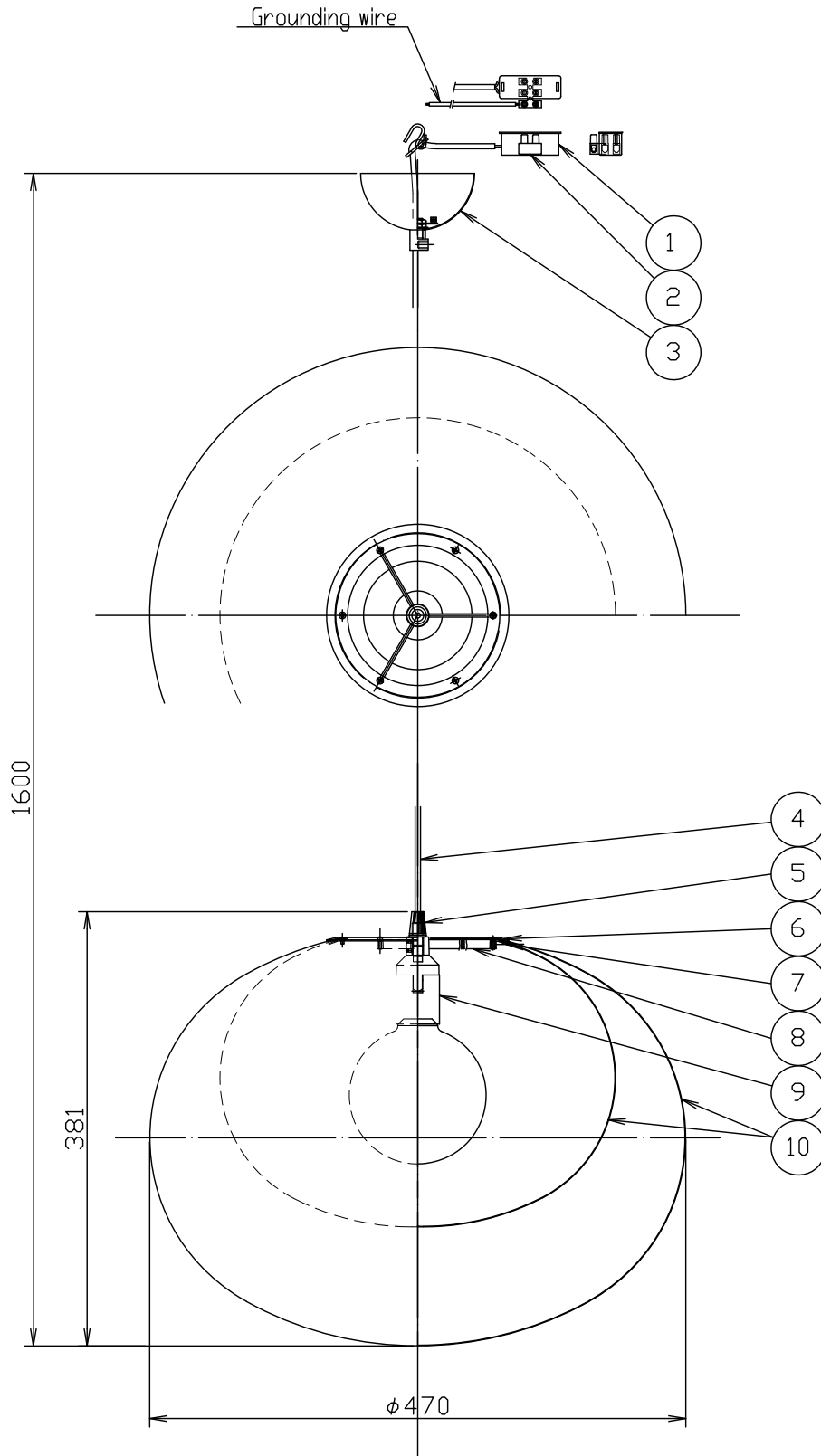


09.05.18 23.08.29

09.05.18



13					6	Fixing ring	SPC	1	White painted	MODEL NAME	MAYUHANA2 PENDANT	
12					5	Cable clamp	Plastic	1	STEAB 5110			
11	Cord hanger	Plastic	1	White	4	Cord	—	1	clear	SUITABLE LAMP	220-240V E27 LED Bulb Lamp Max 13W×1	
10	Shade	Glassfiber +Plastic	2	White	3	Frange	SPC	1	White painted		COLOR	
9	Solect	Plastic	1	E27	2	Terminal block	Plastic	1		CATALOG No.	PE112	MODEL No. 80PC-05K1-10
8	Hub body	ADC	1	White painted	1	Terminal block protection	Plastic	1	STEAB 5290			
7	Holding ring	SPC	1	White painted	No.	ARTECLE	M.T	QT.				
PROTECTION		DR. R&D	UNIT	mm	SCALE	—	WEIGHT	0.7	kg			

*The specifications and appearance of this product are subject to change without notice for improvement. Please note and understand.