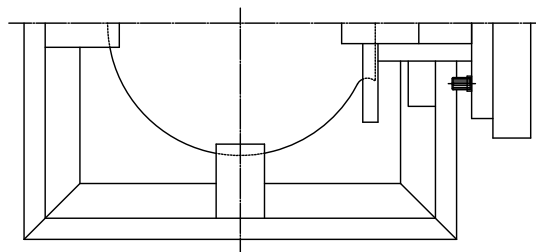
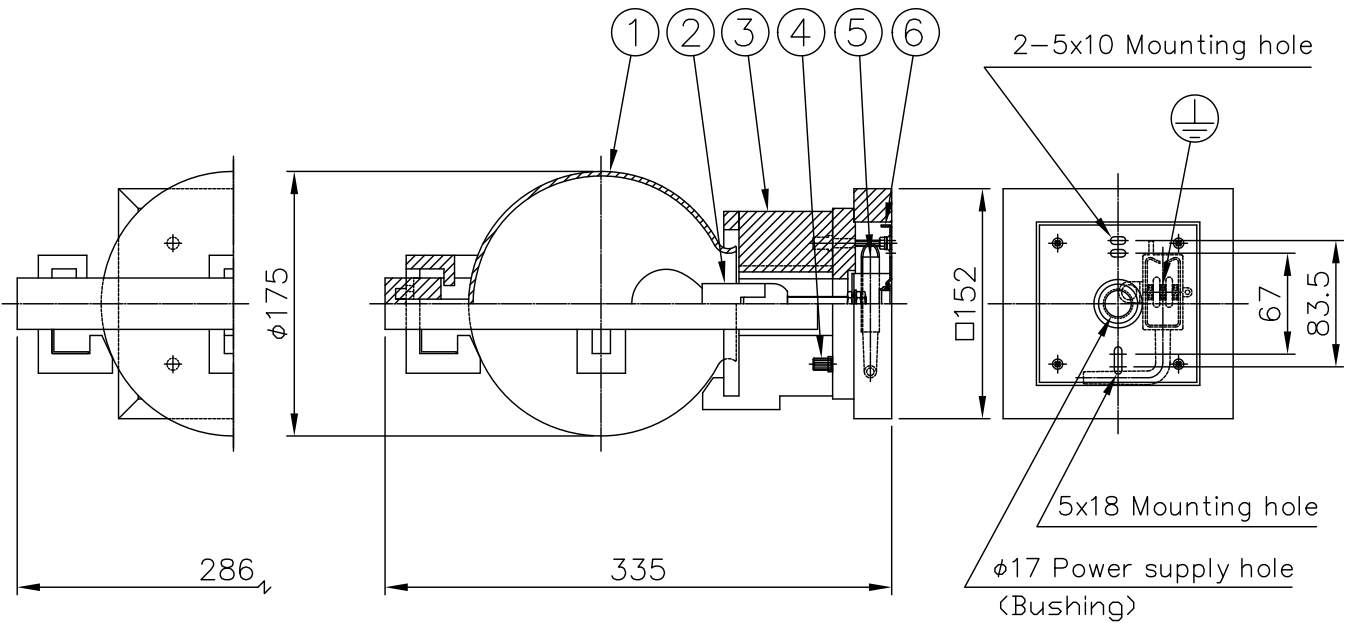


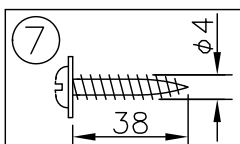
140626



| Maintenance Parts |              |
|-------------------|--------------|
| No.               | Model number |
| ①                 | 888690196    |

**⚠ Attention**

- Although this lighting fixture is for indoor use, it cannot be used in locations of high humidity or in the presence of water such as in the bathroom. Do not use this lighting fixture outdoors. This can cause an electrical shock or fire.
- It is an appliance wall mounting only. Please without installing ceilings. It may fall.
- Equipment has given the mounting direction. Mounted outside the designated fire it may fall.



|     |                |          |     |                    |                |                       |       |              |              |
|-----|----------------|----------|-----|--------------------|----------------|-----------------------|-------|--------------|--------------|
| 7   | Fixing screw   | SWRH     | 2   | Chromate treatment | Equipment type | Class I               |       |              |              |
| 6   | Fixing plate   | SPC      | 1   | Chromate treatment |                |                       |       |              |              |
| 5   | Terminal block |          | 1   | 4A 250V            |                |                       |       |              |              |
| 4   | Face nut       | BsBM     | 4   | M4 Bronze plating  | Lamps          | E14 IBF/F Max 40W X 1 |       |              |              |
| 3   | Body           | Walnut   | 1   | Clear matte paint  |                |                       |       |              |              |
| 2   | Socket         | PET      | 1   | E14 2A 250V        | Color          |                       |       |              |              |
| 1   | Diffuser       | Glass    | 1   | Opal Frost         |                |                       |       |              |              |
| No. | Part name      | Material | QTY | Summary            |                | Catalog number        | BE303 | Model number | 69BB-09K9-10 |
|     |                |          |     | Unit               | mm             |                       |       |              |              |

※Design and specifications of this product because it may change without notice Please note, for improvement