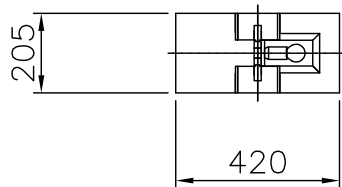
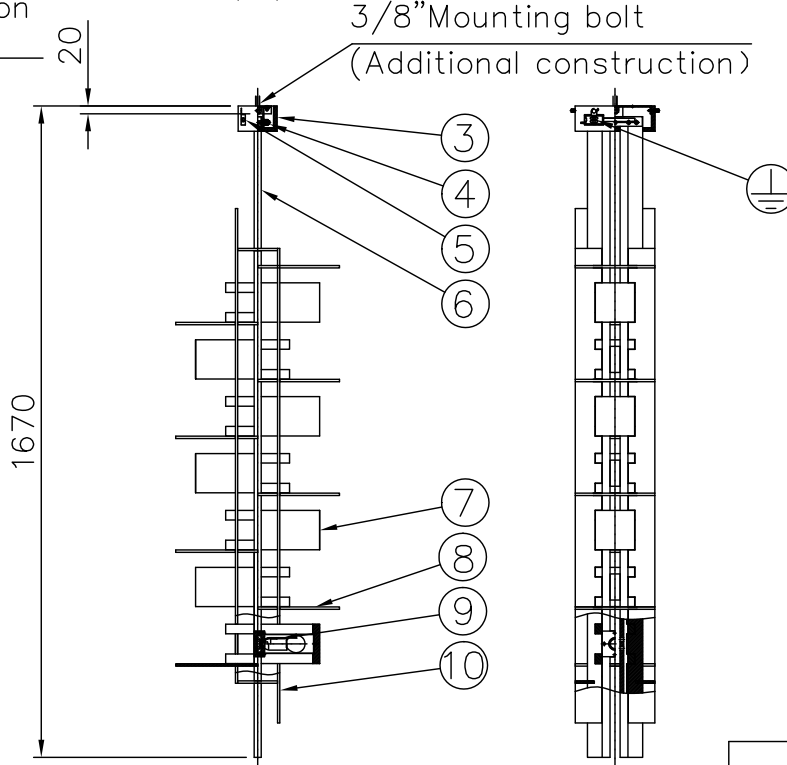


Bolt insertion length



△ Attention

○ Although this lighting fixture is for indoor use, it may not be used in humid locations like bathrooms. Do not use this lighting fixture outdoors. Otherwise, it may cause an electrical shock or fire.

○ This lighting fixture is only suitable for ceiling mounting. Please install it on high strength ceiling with a bolt. Do not install it on inclined ceiling. Otherwise, it may fall and be damaged and there is fear of injury.

10	Plaque post	Wood	1Set	Brown/Blue paint
9	Socket	PET	7	E14 300V 1A
8	Reflective plate	Wood	8	Brown/Blue paint
7	Shade	Wood	7	Brown/Red paint
6	Post	Wood	2	Brown/Red paint
5	Terminal block		1	4A 250V
4	Connecting bolt	SWRH	1	M8
3	Flange	Wood	1	Brown paint
2	Knurling bolt	BsBM	2	M4 Bronze plating
1	Mounting plate	SPC	1	Black paint

Equipment type	Class I
Lamps	7×LED 4W E14 250lm 2700K (not included)
Color	

No.	Part name	Material	QTY	Summary			
				Unit	mm	Scale	Weight 10 kg

Catalog number	PE302	Model number	69PP-09K9-70
----------------	-------	--------------	--------------

*The specifications and appearance of this product are subject to change without notice for improvement. Please note and understand.

170821