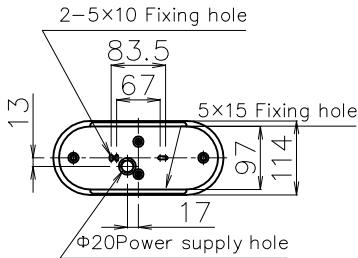
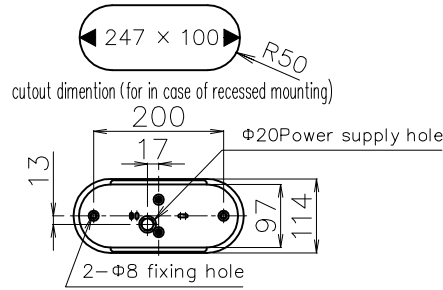


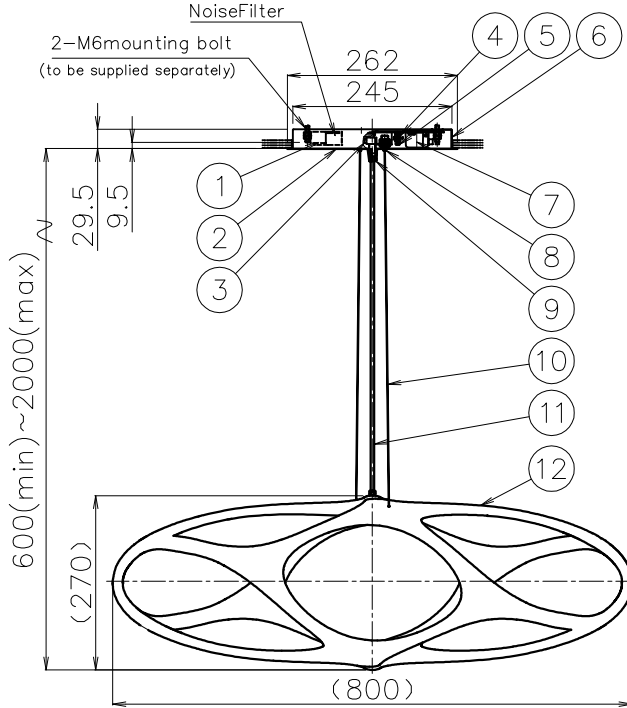
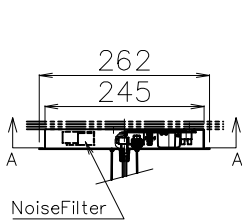
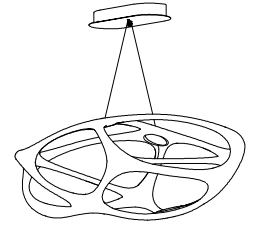
100227
100218
091021



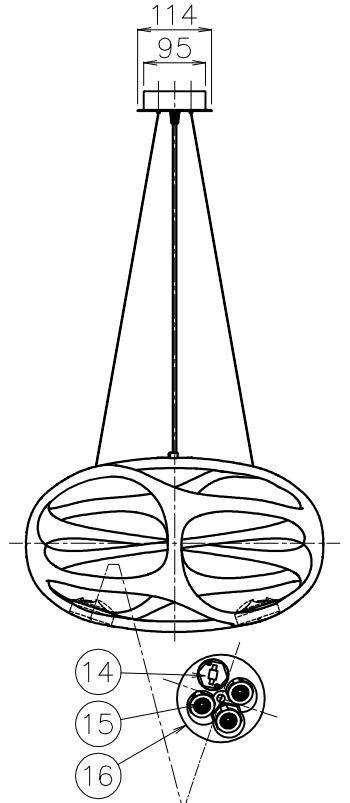
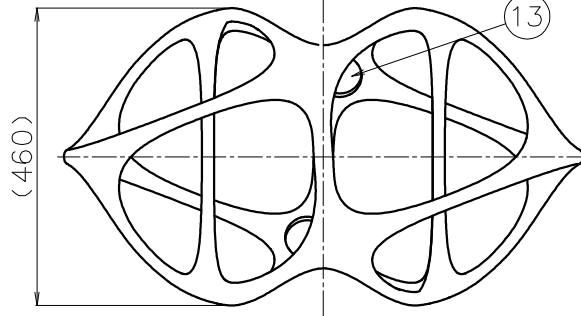
(In case of direct surface mounting)



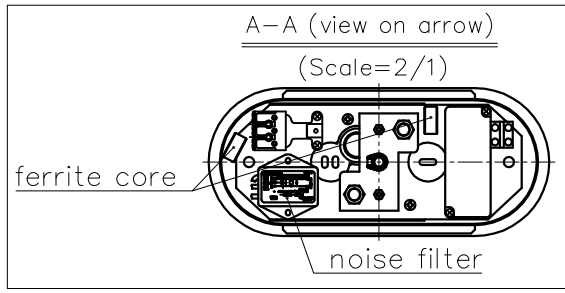
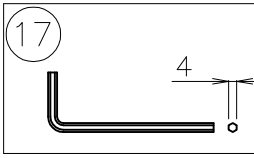
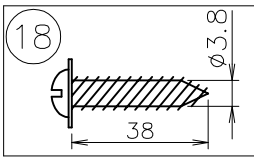
(In case of recessed mounting)



600(min)~2000(max)



Led Area: Enlargement
(Scale=2/1)



⚠ Safety Precautions

○For indoor use only. Installation outdoor and at the place of high humidity should be avoided. It may cause electric shock or fire.
○To be recessed or installed on the ceiling. Do not put on inclined ceiling, wall and floor to avoid falling.

19					9	Face nut	NYRON	1	White
18	Fixing Screw	SWRH	2	Nickel plating	8	Wire adust gear	SB	2	Nickel Plating
17	Specialized tool	SWRH	1	Black be dyed	7	Device of lighting LED	RESIN	1	Input 230V AC 50-60Hz Output DC5V-36V
16	Base of LED	ADC	2	White Painting	6	Mounting plate	SPC	1	White Painting
15	with lens of LED	AP/PC	6	3.2V 1.1W White	5	Cap screw	SWRM	2	Chromating
14	without lens of LED	AP	2	3.2V 1.1W White	4	Wire earth	BsB	2	
13	Reflector	AP	2	Specular anodized	3	Cord cap screw	NYRON	1	White
12	Main body	Rigid polyurethane foam	1	White Painting	2	Flange	SPC	1	White Painting
11	Cord	NYRON	1	Clear	1	Terminal block	PBT	1	300V.20A
10	Wire	SUS	2	φ1mm					

Equipment type	direct surface mounting
Equipment type	recessed mounting
lamp	LED1.1Wx8
seed color	
catalogue NO	PE110
type	型番 60PC-05K6-80