

## Safety Precautions for Users

### Warning



#### Danger of Electric Shock

- ◇ Be sure to turn off the power supply at the time of replacement and repair of any parts.
- Please turn off the power supply and contact the shop you purchased the fixture from, should any abnormal incident (such as smoke or unusual smell, etc.) occurs.



#### Danger of Electric Shock / Fire

- ◇ Do not make alterations to the fixture and parts.
- ◇ Do not put foreign objects (like metals, flammable matter, etc.) in the clearance of the fixture.



#### Danger of Fire

- ◇ Do not cover the fixture with fabric, paper, etc.
- Do not place the fixture closer to curtains, or flammable objects like volatile matter, etc.

### Caution

- ◇ Do not touch the bulb while the lamp is lit or immediately after use. This can cause burns.
- ◇ Do not hold onto the power plug with wet hands. This can cause an electric shock.
- ◇ There is a life span for lighting fixtures. After approximately 8 to 10 years of use from its installation, deterioration inside the fixture is under way despite no change in outer appearance is shown. Inspection by qualified electricians is recommended every 3 to 5 years. If any defects are found, please replace the parts. (Generally, a roughly calculated standard life span of lighting fixture is 10 years, although it differs depending on the used conditions and environment.)
- ◇ To use the fixture brightly and safely, try to clean up and check the fixture regularly (for example, every 6 months). Check if there are any screws and parts loosening, damages or parts detached.
- ◇ Do not water the fixture or wash it in the water, otherwise there is a risk of electric shock and fire.
- ◇ Do not place a heating stove or heat generator under the fixture, otherwise there is a risk of deformation of the fixture and fire.

## Maintenance and Repair

### Caution

Be sure to turn off the power supply, otherwise there is a risk of electric shock or injury.

- ◇ When doing maintenance and repair, do not wipe the fixture with volatile material like gasoline, thinner, benzene, etc. Do not use pesticides, otherwise there is a risk of color change and damage. In case the fixture is badly stained, dip soft cloth in a neutral detergent and squeeze it well. With that cloth, wipe the fixture. Then do finish wiping with soft dry fabric.
- ◇ Do not touch the fixture with a wet hand.



This fitting is in conformity with the European Directives

### Yamagiwa Corporation

3-16-13 Shiba Minato-ku, Tokyo 105-0014 Japan  
T: +81-3-6741-2300  
<http://www.yamagiwa.co.jp/global>  
E: [export@yamagiwa.co.jp](mailto:export@yamagiwa.co.jp)

### Maruwa Europe Ltd.

The Boulevard Orbital Park Ashford, Kent, TN24 0GA, U.K.  
T: +44-12-3350-1555  
F: +44-12-3350-1691

## Instruction Manual

## TALIESIN™ 2

designed by FRANK LLOYD WRIGHT™



Please read the followings before assembling and installing this product.  
Electric work should be performed by qualified electricians.

### Index

- Page 1: Safety Precautions for Electricians
- Page 2: Rating Table / Parts / Assembly Instructions 1
- Page 3: Assembly Instructions 2
- Page 4: Safety Precautions for Users / Maintenance and Repair

## Safety Precautions for Electricians

### Warning



#### Danger of Fire

- ◇ When connecting the power supply, please follow the mounting instructions correctly.

#### Danger of Injury by Falling Fixtures

- ◇ When installing fixtures, please follow the mounting instructions correctly.

#### Danger of Electric Shock

- ◇ Be sure to cut off the power supply until completion of the work.
- ◇ Be sure to cut off the power supply when mounting the fixture.
- Please perform the ground construction work properly following the electrical equipment standard and interior wiring regulations.



#### Danger of Injury by Falling Fixtures

- ◇ Do not install the fixture where extreme projecting portions are found around the mounting area.

### Caution

- ◇ Electrical work should be performed by qualified electricians. Non-eligible persons are prohibited to be engaged in the electrical work by law.
- ◇ Do not use the fixture other than the rated voltage.  
If used under higher voltage than the specified rated one, it may generate fire hazard.
- ◇ Do not try too hard to turn and pull the fixture, or give vibration and shock as it may cause injury by falling fixtures.
- ◇ Mounting and removal work of fixture should be done gently with both hands and fixtures should be securely installed.  
If failed, it may cause injury by falling fixture.
- ◇ Do not use the dimming device unless specified its adaptability as it may cause fire hazard.
- ◇ This fixture is for interior use only, but not for use in a humid and moist place such as a bathroom. Do not use it outdoors.  
Improper application may cause electrical shock or fire hazard.
- ◇ Please perform the ground construction work properly following the electrical equipment standard and interior wiring regulations to refrain from possible electrical shock and fire hazard.
- ◇ Do not use the fixture except under the ambient temperature of 10°C~35°C.

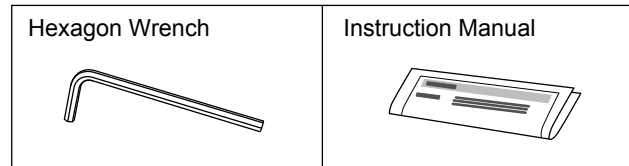
### Attn: Electrical Contractor

Please deliver this instruction manual to the end-user after the work is finished.

Rating Table

Catalogue No.	Model No.	Material	Input Voltage	Power Consumption	Lamp	Weight
SE316	68SF-20K5-00	CHERRY	AC200V	220W	E14 IBP/C Max 25W x10	20kg
SE317	68SF-21K2-00	WALNUT	AC200V	220W	E14 IBP/C Max 25W x10	20kg

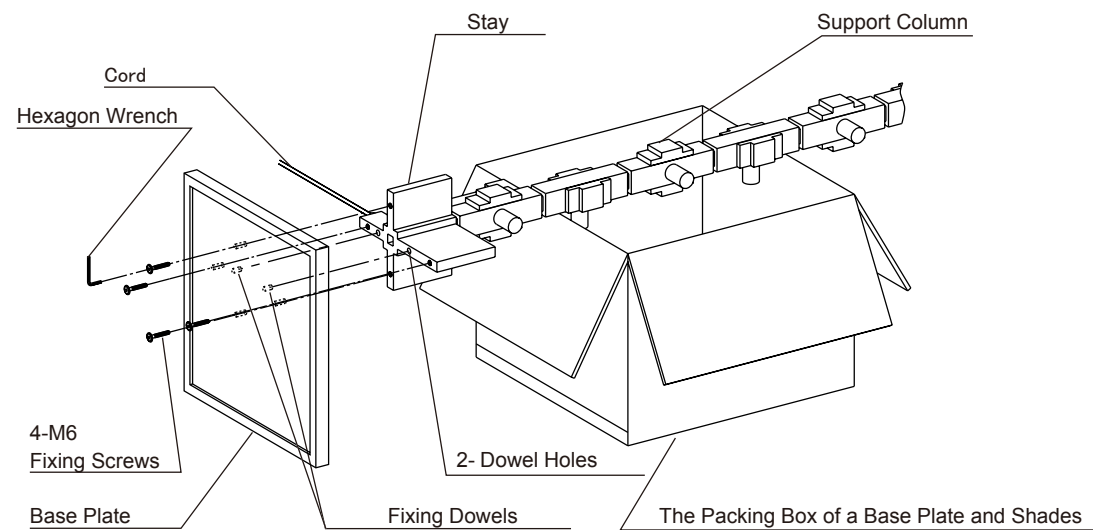
Parts



Please note that the specifications and appearance of fixture are subject to change for improvement without prior notice.

Assembly Instructions 1

(fig.1)

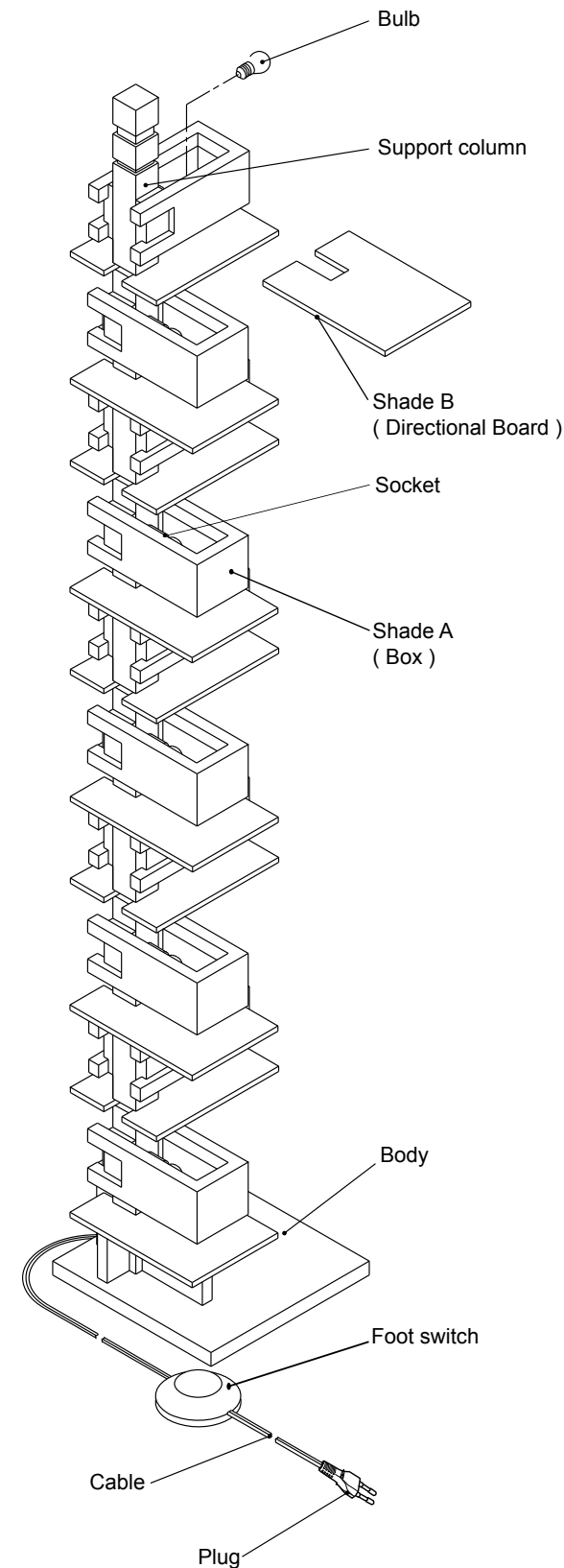


Assemble the base plate and support column (fig.1)

1. Take out the base plate out of the packing box.
2. Take out the support column out of the packing box.
3. Put the support column on top of the packing box horizontally. In this case, please be aware of the direction.
4. Align the position of the fixing dowels and dowel holes.  
(Be aware of the direction.)
5. Install securely the fixing screws with the enclosed hexagon wrench.  
※Check securely assembled base plate.If the assembly is insufficient, it will cause the lighting fixture.

Assembly Instructions 2

(fig.2)



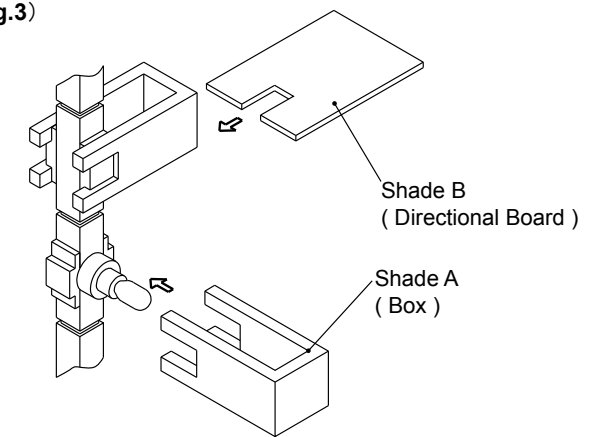
Parts and How Assembling Method.(fig.2/fig.3)

1. Place the luminaire vertically on flat surface.  
If placed on an inclined surface, there is a danger of over-turning.
2. Put a bulb into the socket.  
Please use a bulb of the same kind or lower wattages as indicated on the luminaire.
3. Insert the shade A to the support column.  
(by widening a little using both hands)
4. Please do not pull the cable but hold the plug when removing the plug out of outlet.
5. Insert the plug into the power supply outlet, then turn the foot switch on.

CAUTION !

- \* Do not put a load on the shades or press them as there is a risk of damage.
- \* When moving the luminaire, please hold the body. If lifted up by grasping the shades only, it may lead to incurring damage.

(fig.3)



※ the illustration shows the fixture, omitting partial detail.